



## Correction to: *BRCA1* and *BRCA2* Germline Mutation Analysis in Hereditary Breast/Ovarian Cancer Families from the Aures Region (Eastern Algeria): First Report

Chiraz Mehemmai<sup>1,2,3</sup> · Farid Cherbal<sup>1</sup> · Yosr Hamdi<sup>3</sup> · Abdelmoumene Guedioura<sup>4</sup> · Wassila Benbrahim<sup>5</sup> · Rabah Bakour<sup>1</sup> · Sonia Abdelhak<sup>3</sup>

Published online: 5 March 2019  
© Arányi Lajos Foundation 2019

**Correction to:** Pathology & Oncology Research  
<https://doi.org/10.1007/s12253-019-00586-4>

The original version of this article unfortunately contained an error in the abstract section and Figure 2h image.

### Abstract

Page 1, under Abstract section, lines 11–12 should be rewritten as: Interestingly, we also detected a *BRCA1* exon 15 deletion in two unrelated young female TNBC patients with strong family history of breast/ovarian cancer.

### Figure 2h

Pages 10, Symbol definitions of Family pedigree was missing in Figure 2h. The amended and corrected Figure 2h is shown below.

**Publisher's Note** Springer Nature remains neutral with regard to jurisdictional claims in published maps and institutional affiliations.

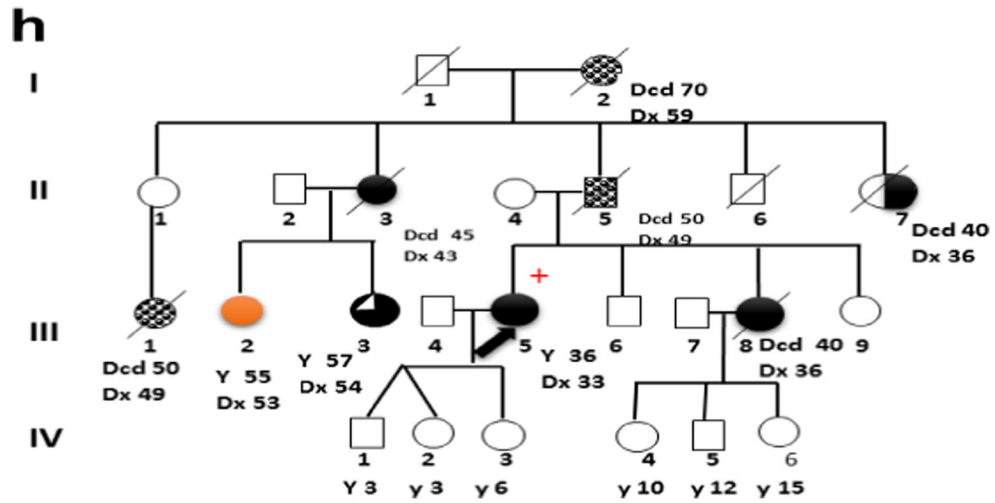
---

The online version of the original article can be found at <https://doi.org/10.1007/s12253-019-00586-4>

---

✉ Farid Cherbal  
farid.cherbal@gmail.com

- <sup>1</sup> Unit of Genetics, Laboratory of Molecular and Cellular Biology, Faculty of Biological Sciences, USTHB, POB 32 El Alia, Bab Ezzouar, 16111 Algiers, Algeria
- <sup>2</sup> Faculty of Sciences of Tunis, University Campus 2092 - El Manar, Tunis, University of Tunis El Manar, Tunis, Tunisia
- <sup>3</sup> Laboratory of Biomedical Genomics and Oncogenetics (LRTI, IPT 05), Institut Pasteur de Tunis, University of Tunis El Manar, Tunis, Tunisia
- <sup>4</sup> LOBEM, Faculty of Biological Sciences, USTHB, Algiers, Algeria
- <sup>5</sup> Anti-cancer center of Batna, Batna, Algeria



Symbol definitions of family pedigree

	Clear symbol		Index case
	Breast cancer		Colon cancer
	Ovarian cancer		unknown cause of death
	Male Breast Cancer		Prostate cancer
	Uterine cancer		Liver cancer
	Breast and ovarian cancer		Deceased
	Gastric cancer		
	Skin cancer		
	Breast nodules		
	Bilateral Breast Cancer		

dx: age at diagnosis    Y: current age    dcd: age at death